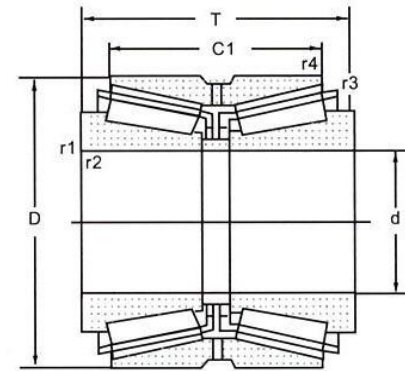


## Double Row Tapered Roller Bearing With Double Cone (Inch Series)



| Bearing Numbers    | Boundary dimensions(mm) |         |         |         |                     |                     | Basic load rating(kN) |      | Design | Abutment and fillet dimensions(mm) |                    |                    |                    | Value |                |                |                | Weight(kg) |
|--------------------|-------------------------|---------|---------|---------|---------------------|---------------------|-----------------------|------|--------|------------------------------------|--------------------|--------------------|--------------------|-------|----------------|----------------|----------------|------------|
|                    | d                       | D       | T       | C       | r <sub>1</sub> 2min | r <sub>3</sub> 4min | Cr                    | Cor  |        | d <sub>a min</sub>                 | D <sub>a max</sub> | r <sub>b max</sub> | r <sub>a max</sub> | e     | Y <sub>1</sub> | Y <sub>2</sub> | Y <sub>0</sub> | Refer      |
| 783/774D           | 100                     | 180.975 | 104.775 | 85.725  | 1.6                 | 3.6                 | 440                   | 750  | 1      | 123                                | 171                | 1.6                | 3.6                | 0.39  | 1.8            | 2.6            | 1.7            | 10.6       |
| 52400/52637D       | 101.6                   | 161.925 | 82.548  | 61.912  | 0.8                 | 3.6                 | 310                   | 570  | 1      | 120                                | 155                | 0.8                | 3.6                | 0.47  | 1.4            | 2.1            | 1.4            | 5.7        |
| 687/672D           | 101.6                   | 168.275 | 92.075  | 69.85   | 0.8                 | 3.6                 | 380                   | 685  | 1      | 121                                | 161                | 0.8                | 3.6                | 0.47  | 1.4            | 2.1            | 1.4            | 7.3        |
| 780/773D           | 101.6                   | 180     | 104.775 | 85.725  | 0.8                 | 3.6                 | 440                   | 750  | 1      | 124                                | 171                | 0.8                | 3.6                | 0.39  | 1.8            | 2.6            | 1.7            | 10.2       |
| 780/774D           | 101.6                   | 180.975 | 104.775 | 85.725  | 1.6                 | 3.6                 | 440                   | 750  | 1      | 124                                | 171                | 1.6                | 3.6                | 0.39  | 1.8            | 2.6            | 1.7            | 10.4       |
| 861/854D           | 101.6                   | 190.5   | 127     | 101.6   | 1.6                 | 8                   | 605                   | 1000 | 1      | 130                                | 180                | 1.6                | 8                  | 0.33  | 2              | 3              | 2              | 14.4       |
| HH221449/HH221410D | 101.6                   | 190.5   | 127     | 104.775 | 1.6                 | 8                   | 665                   | 1040 | 1      | 131                                | 183                | 1.6                | 8                  | 0.33  | 2              | 3              | 2              | 14.3       |
| 98400/98789D       | 101.6                   | 200.025 | 115.888 | 80.216  | 2.3                 | 3.6                 | 540                   | 850  | 1      | 132                                | 190                | 2.3                | 3.6                | 0.63  | 1.1            | 1.6            | 1              | 14.8       |
| HH224335/HH224310D | 101.6                   | 212.725 | 142.875 | 117.475 | 1.6                 | 7                   | 975                   | 1620 | 1      | 137                                | 205                | 1.6                | 7                  | 0.33  | 2.1            | 3.1            | 2              | 23.3       |
| 782/773D           | 104.775                 | 180     | 104.775 | 85.725  | 0.8                 | 3.6                 | 440                   | 750  | 1      | 125                                | 171                | 0.8                | 3.6                | 0.39  | 1.8            | 2.6            | 1.7            | 9.7        |
| 786/774D           | 104.775                 | 180.975 | 104.775 | 85.725  | 1.6                 | 6.4                 | 440                   | 750  | 1      | 128                                | 171                | 1.6                | 6.4                | 0.39  | 1.8            | 2.6            | 1.7            | 9.9        |
| 71412/71751D       | 104.775                 | 190.5   | 106.632 | 80.962  | 1.6                 | 3.6                 | 510                   | 925  | 1      | 131                                | 182                | 1.6                | 3.6                | 0.42  | 1.6            | 2.4            | 1.6            | 12.2       |
| 56418/56650D       | 106.362                 | 165.1   | 82.55   | 63.5    | 0.8                 | 3.6                 | 335                   | 645  | 1      | 126                                | 160                | 0.8                | 3.6                | 0.5   | 1.4            | 2              | 1.3            | 5.9        |
| L521949/L521910D   | 107.95                  | 146.05  | 49.212  | 39.688  | 0.8                 | 1.5                 | 147                   | 330  | 1      | 120                                | 141                | 0.8                | 1.5                | 0.39  | 1.7            | 2.6            | 1.7            | 2.2        |
| 56425/56650D       | 107.95                  | 165.1   | 82.55   | 63.5    | 0.8                 | 3.6                 | 335                   | 645  | 1      | 127                                | 160                | 0.8                | 3.6                | 0.5   | 1.4            | 2              | 1.3            | 5.7        |
| 71425/71751D       | 107.95                  | 190.5   | 106.362 | 80.962  | 1.6                 | 3.6                 | 510                   | 925  | 1      | 133                                | 182                | 1.6                | 3.6                | 0.42  | 1.6            | 2.4            | 1.6            | 11.8       |
| HH224340/HH224310D | 107.95                  | 212.725 | 142.875 | 117.475 | 1.6                 | 8                   | 975                   | 1620 | 1      | 142                                | 205                | 1.6                | 8                  | 0.33  | 2.1            | 3.1            | 2              | 22.1       |
| EE342043/342091D   | 107.95                  | 234.95  | 111.125 | 82.55   | 1.6                 | 6.4                 | 610                   | 840  | 1      | 144                                | 222                | 1.6                | 6.4                | 0.43  | 1.6            | 2.3            | 1.5            | 20         |
| 71432/71751D       | 109.952                 | 190.5   | 106.362 | 80.962  | 1.6                 | 3.6                 | 510                   | 925  | 1      | 134                                | 182                | 1.6                | 3.6                | 0.42  | 1.6            | 2.4            | 1.6            | 11.5       |





















|                    |          |          |         |         |     |      |      |       |   |      |      |     |      |      |      |      |      |      |
|--------------------|----------|----------|---------|---------|-----|------|------|-------|---|------|------|-----|------|------|------|------|------|------|
| LM377449/LM377410D | 588.8    | 736.6    | 225.425 | 177.8   | 1.6 | 6.4  | 3950 | 11200 | 1 | 607  | 720  | 1.6 | 6.4  | 0.35 | 1.9  | 2.9  | 1.9  | 247  |
| EE843220/843292D   | 588.8    | 742.95   | 187.328 | 138.112 | 1.6 | 6.4  | 3000 | 7800  | 1 | 606  | 721  | 1.6 | 6.4  | 0.34 | 2    | 2.9  | 1.9  | 203  |
| 649237/649311D     | 602.945  | 787.4    | 206.375 | 158.75  | 1.6 | 6.4  | 3820 | 10070 | 1 | 655  | 771  | 1.6 | 6.4  | 0.37 | 1.8  | 2.7  | 1.8  | 240  |
| EE649237/649313D   | 602.945  | 793.75   | 206.375 | 158.75  | 1.6 | 6.4  | 3450 | 9600  | 1 | 655  | 774  | 1.6 | 6.4  | 0.37 | 1.8  | 2.7  | 1.8  | 253  |
| EE649239/649311D   | 607.72   | 787.4    | 206.375 | 158.75  | 1.6 | 6.4  | 3450 | 9600  | 1 | 658  | 771  | 1.6 | 6.4  | 0.37 | 1.8  | 2.7  | 1.8  | 237  |
| EE649239/649313D   | 607.72   | 793.75   | 206.375 | 158.75  | 1.6 | 6.4  | 3390 | 9940  | 1 | 630  | 755  | 1.6 | 6.4  | 0.37 | 1.82 | 2.7  | 1.78 | 254  |
| LL579749/LL579710D | 609.6    | 717.55   | 127     | 95.25   | 1.6 | 6.4  | 1530 | 4600  | 1 | 642  | 708  | 1.6 | 6.4  | 0.4  | 1.7  | 2.5  | 1.6  | 81.7 |
| EE649240/649311D   | 609.6    | 787.4    | 206.375 | 158.75  | 1.6 | 6.4  | 3820 | 10070 | 1 | 659  | 771  | 1.6 | 6.4  | 0.37 | 1.8  | 2.7  | 1.8  | 232  |
| EE649240/649313D   | 609.6    | 793.75   | 206.375 | 158.75  | 1.6 | 6.4  | 3450 | 9600  | 1 | 659  | 774  | 1.6 | 6.4  | 0.37 | 1.8  | 2.7  | 1.8  | 243  |
| EE743240/743321D   | 609.6    | 812.8    | 190.5   | 146.05  | 3.2 | 6.4  | 3400 | 8360  | 1 | 664  | 785  | 3.2 | 6.4  | 0.33 | 2    | 3    | 2    | 250  |
| L281148/L281110DA  | 660.4    | 812.8    | 203.2   | 158.75  | 3.2 | 6.4  | 3250 | 10300 | 1 | 693  | 789  | 3.2 | 6.4  | 0.37 | 1.8  | 2.69 | 1.76 | 199  |
| EE749260/749335D   | 660.4    | 854.924  | 186.329 | 135.9   | 2.4 | 9.5  | 3120 | 8010  | 1 | 690  | 820  | 2.4 | 9.5  | 0.35 | 1.92 | 2.86 | 1.88 | 238  |
| 673KBE7951         | 673.1    | 793.75   | 133.35  | 98.426  | 1.6 | 6.4  | 1750 | 5850  | 1 | 710  | 781  | 1.6 | 6.4  | 0.36 | 1.9  | 2.8  | 1.8  | 108  |
| EE655270/655346D   | 685.8    | 876.3    | 200.025 | 152.4   | 1.6 | 6.4  | 3510 | 10800 | 1 | 710  | 850  | 1.6 | 6.4  | 0.42 | 1.62 | 2.42 | 1.59 | 280  |
| EE755280/755361D   | 711.2    | 914.4    | 190.5   | 139.7   | 1.6 | 6.4  | 3610 | 9170  | 1 | 767  | 891  | 1.6 | 6.4  | 0.37 | 1.8  | 2.7  | 1.8  | 265  |
| EE755285/75361D    | 723.9    | 914.4    | 187.325 | 139.7   | 1.6 | 3.2  | 3020 | 8930  | 1 | 745  | 880  | 1.6 | 3.2  | 0.38 | 1.78 | 2.65 | 1.74 | 266  |
| EE752295/752381D   | 749.3    | 965.2    | 187.325 | 133.35  | 1.6 | 6.4  | 3130 | 9590  | 1 | 775  | 920  | 1.6 | 6.4  | 0.4  | 1.68 | 2.5  | 1.64 | 320  |
| LM283649/LM283610D | 749.3    | 990.6    | 338     | 265     | 3.2 | 6.4  | 7850 | 23900 | 1 | 775  | 960  | 3.2 | 6.4  | 0.32 | 2.12 | 3.15 | 2.07 | 681  |
| EE752300/752381D   | 762      | 965.2    | 187.325 | 133.35  | 1.6 | 6.4  | 3580 | 9800  | 1 | 815  | 943  | 1.6 | 6.4  | 0.4  | 1.7  | 2.5  | 1.6  | 290  |
| EE752305/752381D   | 774.7    | 965.2    | 187.325 | 133.35  | 1.6 | 6.4  | 3580 | 9800  | 1 | 822  | 943  | 1.6 | 6.4  | 0.4  | 1.7  | 2.5  | 1.6  | 265  |
| EE762320/762401D   | 812.8    | 1016     | 190.5   | 146.05  | 3.2 | 6.4  | 3580 | 10200 | 1 | 876  | 994  | 3.2 | 6.4  | 0.43 | 1.6  | 2.3  | 1.6  | 350  |
| EE762320/762420XD  | 812.8    | 1066.8   | 190.5   | 146.05  | 3.2 | 6.4  | 3580 | 10200 | 1 | 867  | 1019 | 3.2 | 6.4  | 0.43 | 1.6  | 2.3  | 1.6  | 445  |
| LL686947/LL686910D | 914.4    | 1066.8   | 139.7   | 101.6   | 3.2 | 6.4  | 2460 | 8000  | 1 | 955  | 1048 | 3.2 | 6.4  | 0.4  | 1.7  | 2.5  | 1.6  | 190  |
| 940KBE1270-1       | 939.8    | 1270     | 547.2   | 317.5   | 3.2 | 12.7 | 9200 | 27550 | 1 | 976  | 1250 | 3.2 | 12.7 | 0.88 | 0.77 | 1.15 | 0.8  | 1540 |
| LL687949/LL687910D | 977.9    | 1130.3   | 139.7   | 101.6   | 3.2 | 6.4  | 2510 | 8750  | 1 | 1019 | 1112 | 3.2 | 6.4  | 0.43 | 1.6  | 2.3  | 1.5  | 210  |
| LL889049/LL889010D | 1270     | 1435.1   | 146.05  | 101.6   | 3.2 | 6.4  | 2800 | 11100 | 1 | 1315 | 1413 | 3.2 | 6.4  | 0.57 | 1.2  | 1.8  | 1.2  | 303  |
| LL989349/LL989310D | 1431.925 | 1584.325 | 130.175 | 79.375  | 3.2 | 6.4  | 2440 | 8850  | 1 | 1460 | 1560 | 3.2 | 6.4  | 0.62 | 1.09 | 1.62 | 1.06 | 259  |
| EE299615/299711D   | 1562.1   | 1086.575 | 279.4   | 196.85  | 3.2 | 9.7  | 7210 | 28000 | 1 | 1632 | 1777 | 3.2 | 9.7  | 0.48 | 1.4  | 2.1  | 1.4  | 1045 |